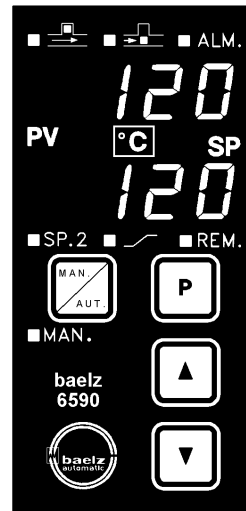


Controller μ Celsitron 6490/6590

3 point position controller with optimizing

Datasheet 4:11e



Technical Specification

Control algorithm

PID, 3 point-step controller

Outputs

Relay outputs
switching capacity 250V/3A

Analog Inputs

Pt100 0-300°C/0-400°C
0/4-20 mA
0/2-10 V
Connection in 2 wire system
24V DC, I max = 60 mA

Digital Inputs (Option)

Open/Close/Stop
Remote setpoint/setpoint 2
Internal supply 24V DC

Remote setpoint (internal)

0/4-20 mA
0/2-10V

Alarms

Alarm A deviation to setpoint, B fixed value, or C span to setpoint

Protection class

Front IP65

Ambient temperature

0-50°C

Power supply

230V, 50/60Hz
110V/24V option

Power consumption

7 VA

Size

6490: 96 x 96 x 135 mm
6590: 48 x 96 x 140 mm

Panel cut-out

6490: 92 x 92 mm
6590: 45 x 92 mm

Serial interface

RS232 eller RS485

Controller 6490/6590 is a programmable software controller for universal use in 1-loop control circuits.

Programming is easy operated in user level and configuration/parameter-level where access can be blocked with pass-word.

Controller 6490/6590 has for example:

- Robust self-optimization
- Measurement inputs for Pt100
0/4-20 mA
0/2-10 V
- Input signal filter
- Setpoint limitation
- Remote setpoint
- Setpoint ramp
- Direct/reverse-switch
- Control via digital inputs (option)
- Serial interface

000207

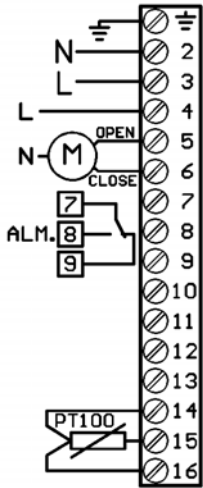
LAGGE CONTROL AB

Montörvägen 9, S-853 50 SUNDSVALL

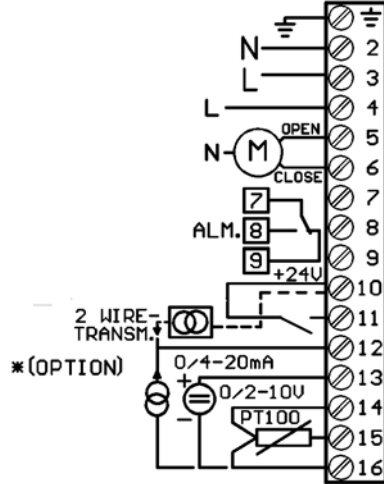
Controller μ Celsitron 6490/6590

Datasheet 4:11e

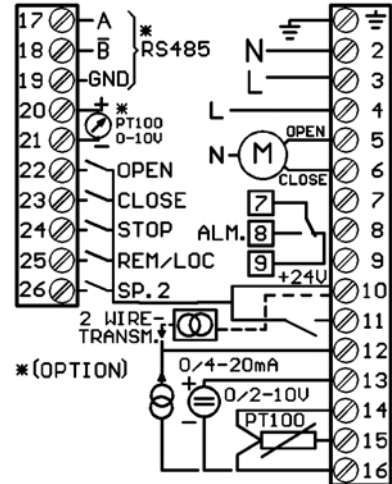
Wiring diagram



Minimum configuration 6490-0/6590-0



Standard configuration = 6490-1/6590-1



Maximum configuration = 6490-2/6590-2

Operating and setting

