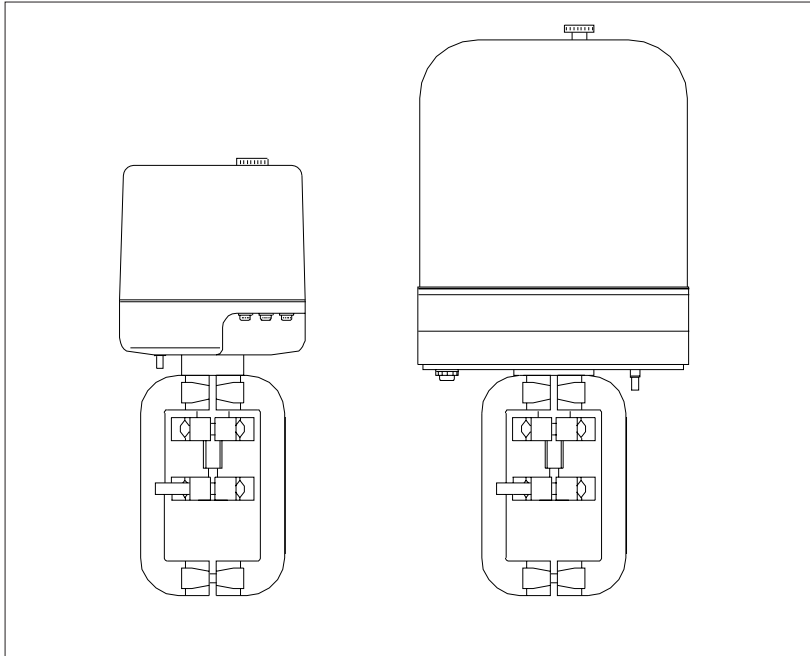


# Electric actuators E02/E40

Baelz

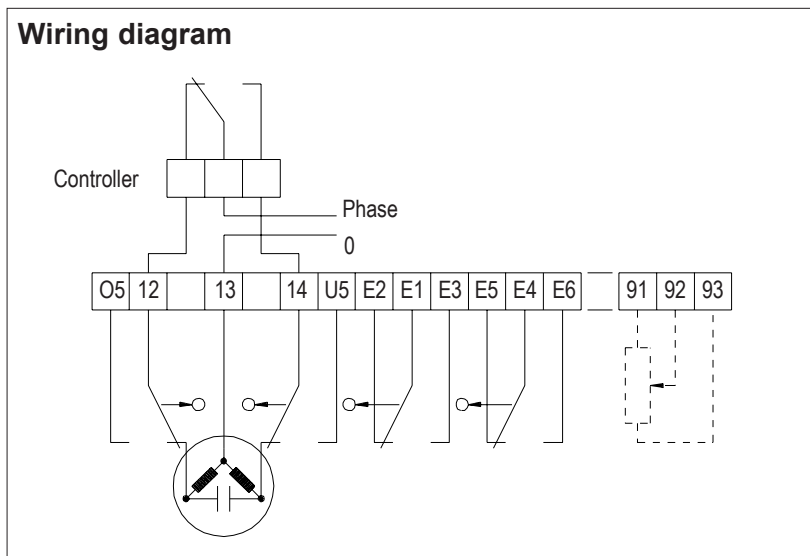
Datasheet 5:20e



Electric actuators E02/E40 are mainly used on Baelz control valves type 340 . . 347/185/356.

E02/E40 are equipped with handadjustment and torque-switches and are available with different control speeds and voltages

## Wiring diagram



## Technical specification

### Types/control force

E02	1000N
E40	4000N

### Control speed

E02-Ty4	4 mm/min.
E02-Ty18	18 mm/min.
E40-Ty20	20 mm/min.
E40-Ty38	38 mm/min.

### Voltage

220V/50Hz	standard
110V/24V	option
60Hz	option

### Cable connection

E02	4 x Pg9
E40	4 x Pg11

### Ambient temperature

0-50°C

### Protection class

IP42
IP54 option for E40

### Material

Housing in aluminium
E02 protective cover in plastic
E40 protective cover in steel

### Weight

E02	2,2 kg
E40	8 kg

### Accessories

- 2 extra limit switches
- Potentiometer 200 Ohm, 1 kOhm, 5 kOhm
- Analog input card 1020 -10V, 0/4-2mA steering signal (potentiometer 5 kOhm is required)
- Feedback card 1017 for 4-20 mA (potentiometer 200 . . 5 kOhm is required)

### Max. allowed differential pressures (bar)

Valve 340/342/347											
DN	15	20	25	32	40	50	65	80	100	125	150
E02	25	25	16	10	6,3	4	2,4	1,5	1	0,6	-
E40	40	40	40	40	25	16	10	6,9	4,4	2,8	1,7
Diverting valve (342/347)				DN15 ... 100 max dp = 0,6 bar							
				DN125 ..... max dp = 0,4 bar							

Valve 356							
DN	15	20	25	32	40	50	65
E02	25	25	16	10	6,3	4	2,4
E40	40	40	40	40	25	16	10

Valve 356S							
DN	15	20	25	32	40	50	65
E02	25	25	25	20	13	7,5	3,6
E40	40	40	40	40	40	30	15

### Dimension drawings

